

Aluminium Enclosures

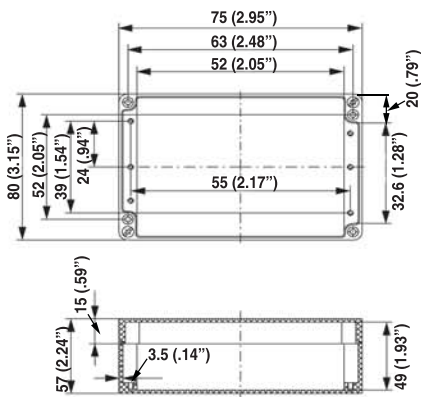
(ALA) 80 x 75 x 57 mm (3.15" x 2.95" x 2.24")



Aluminium	Part Number
Grey	3.150.0658.01

Assembly and machining services of your enclosures are available upon request.
Drawings with additional dimensions can be furnished upon request.

Accessories	Part Number
Mounting plate, yellow passivated steel	3.150.0575.78
DIN Rail, DIN 15	3.150.0570.11
Hinges, pair	3.150.0577.45



Cover screws and assembly screws are included.

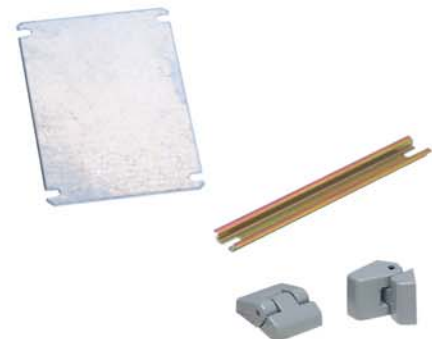
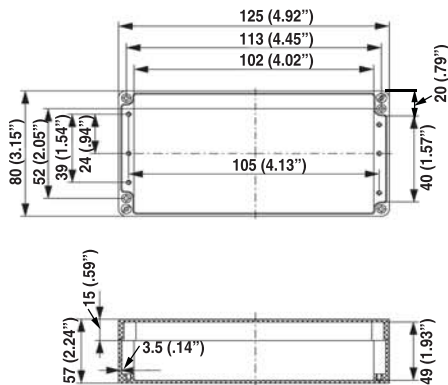
(ALA) 80 x 125 x 57 mm (3.15" x 4.92" x 2.24")



Aluminium	Part Number
Grey	3.150.0658.18

Assembly and machining services of your enclosures are available upon request.
Drawings with additional dimensions can be furnished upon request.

Accessories	Part Number
Mounting plate, yellow passivated steel	3.150.0575.85
DIN Rail, DIN 15	3.150.0570.28
Hinges, pair	3.150.0569.46



Cover screws and assembly screws are included.